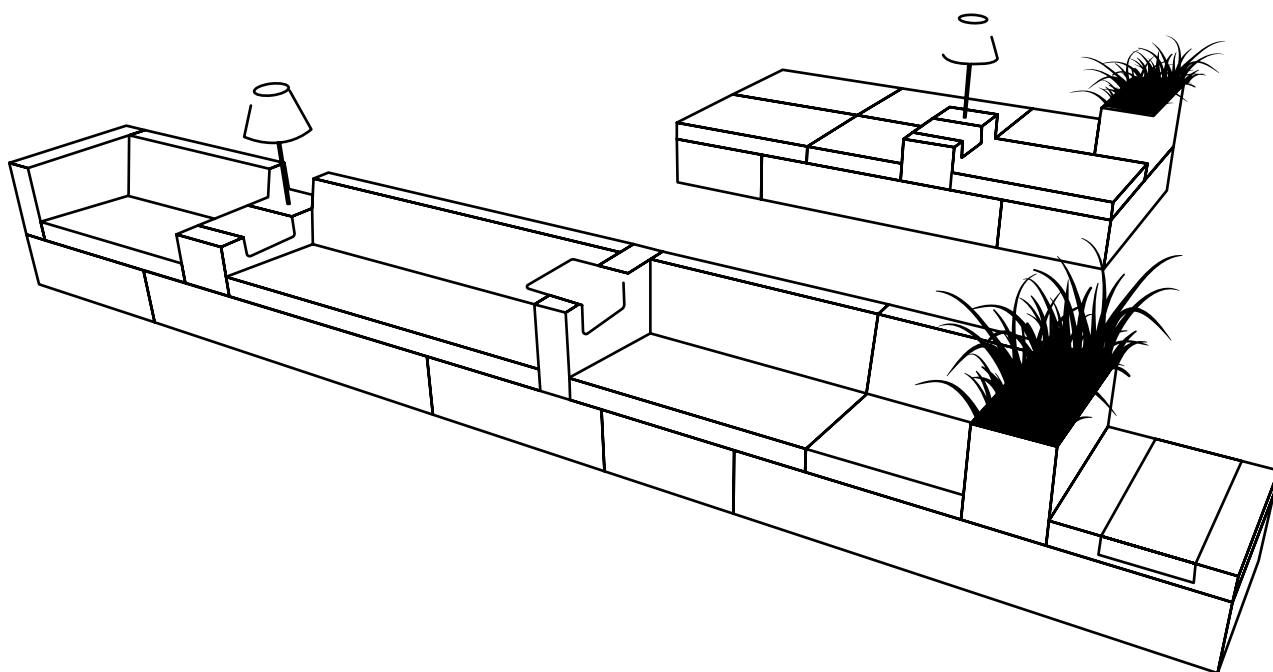


# BeA Bench

design by Drisag



[www.drisag.be](http://www.drisag.be) — [welcome@drisag.be](mailto:welcome@drisag.be)

Experience Center & Production - Diamantstraat 8 - 2200 Herentals - Belgium — + 32 (0) 14 23 11 11

Experience Center - Krommebeekpark 22 - 8800 Roeselare - Belgium — + 32 (0) 51 67 13 09





Work pleasure by Drisag

## BeA Bench

design by Drisag

### Product description

First create the desired length of your BeA bench by combining several base components randomly. Than choose several seating, pouf & table components and put them randomly on the base.

### Fabrics

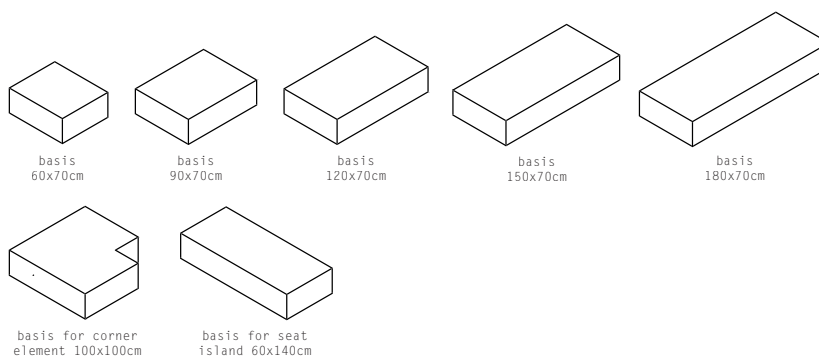
Available in all Drisag fabric groups.

### Metal colors



K41 - white RAL9010

### Models/Dimensions



www.drisag.be — welcome@drisag.be

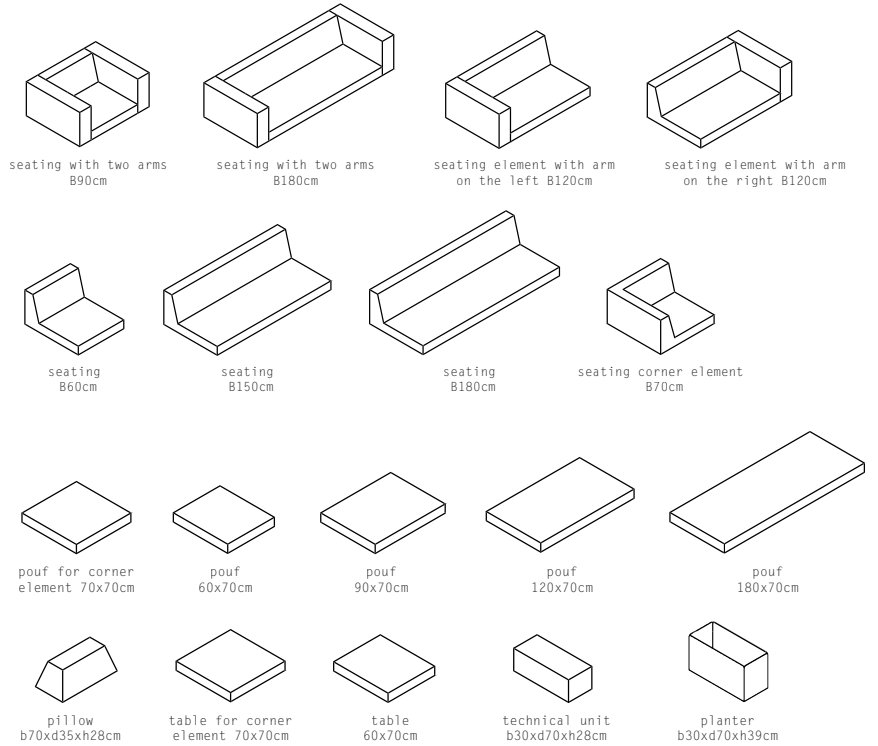
Experience Center & Production - Diamantstraat 8 - 2200 Herentals - Belgium — + 32 (0) 14 23 11 11

Experience Center - Krommebeekpark 22 - 8800 Roeselare - Belgium — + 32 (0) 51 67 13 09

# BeA Bench

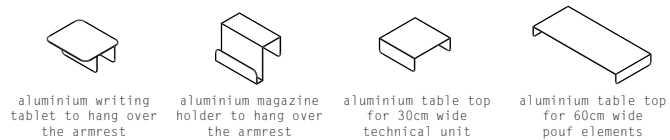
design by Drisag

## Models/Dimensions



upholstery: fabric, leather  
HPL table top: white

### accessories



## Pictures



# BeA Becnh

design by Drisag

## Pictures

