



Project

design by Drisag

Project folding table



Tip top folding table



Project table



drisag

designed to feel good at work

Project

design by Drisag



Tip top folding table

flexible 4 leg meeting table program

base: square legs 35x35 mm steel tube with levellers
colours: white, light grey, black, aluminium white*, anthracite*



project folding table program

base: T-legs: 30 mm black steel tube

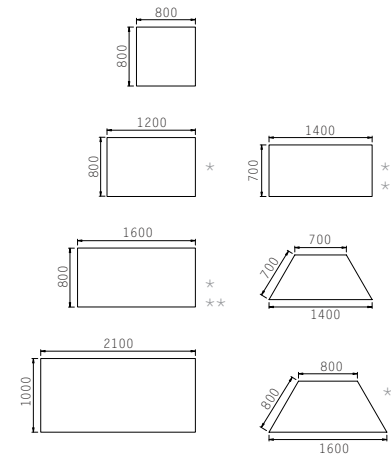
tip top folding table program

base: Y-legs: aluminium white steel tube on lockable wheels

table top: 25mm melamine faced
colours: white, light grey, pearwood*, cherry*, acacia*



(* = optional)



project tables
project folding table*
tip top folding table**